

# JVC

# SERVICE MANUAL

MODEL  
**CL-P1**

TURNTABLE BASE  
BOARD

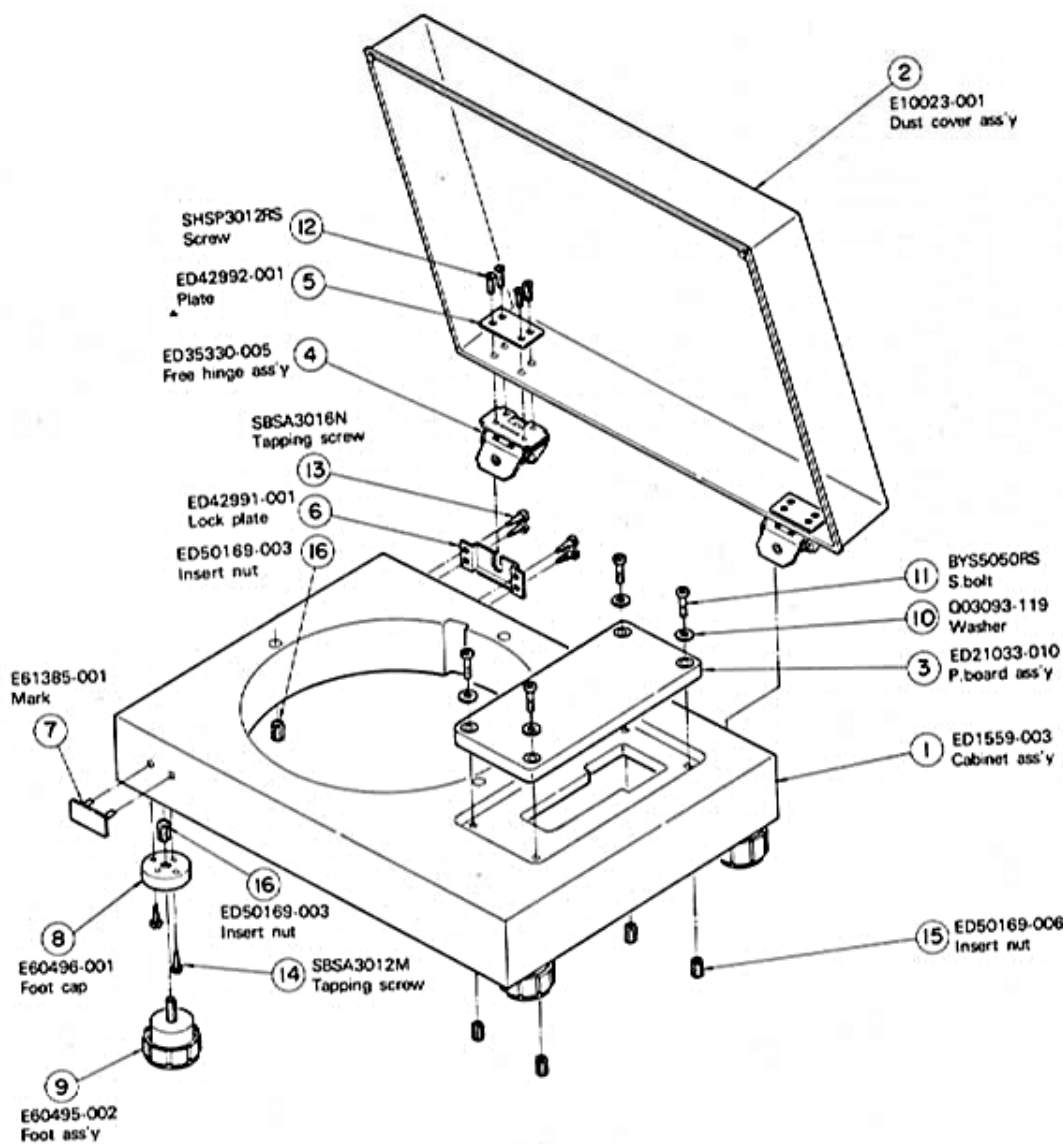


No. 2393  
DEC. 1976

# 1. Specifications

Structure	: Special 3-layer inorganic material
Dust cover	: Acryle resin
Hinge	: Free-stop hinge
Legs	: Double cushion isolater
Tonearm board	: Special inorganic material board (95 x 260mm) Usable tonearm length 230 – 245mm
Dimensions	: 510(W) x 410(D) x 202(H)mm
Weight	: 8.8kg

# 2. Exploded Views and Part Numbers



Item No.	Part Number	Description
1	ED1559-003	Cabinet ass'y
2	E10023-001	Dust cover ass'y
3	ED21033-010	P. board ass'y
4	ED35330-005	Free hinge ass'y
5	ED42992-001	Plate
6	ED42991-001	Lock plate
7	E61385-001	Mark
8	E60496-001	Foot cap
9	E60495-002	Foot ass'y
10	Q03093-119	Washer
11	BYS5050RS	S. bolt
12	SHSP3012RS	Screw
13	SBSA3016N	Tapping screw
14	SBSA3012M	"
15	ED50169-006	Insert nut
16	ED50169-003	"

## Accessories

Description	Part Number	Q'ty
Instruction Book	E30580-561A	1
Warranty Card	See below.	1
Spanner	E60477-001	1

## Warranty Card

U.S.A.	BT20020C
Australia	BT20029
U.K.	BT20013
European countries	Not enclosed
PACEX and other countries	BT20014

# JVC

VICTOR COMPANY OF JAPAN, LIMITED, TOKYO, JAPAN

Printed in Japan  
6012-V